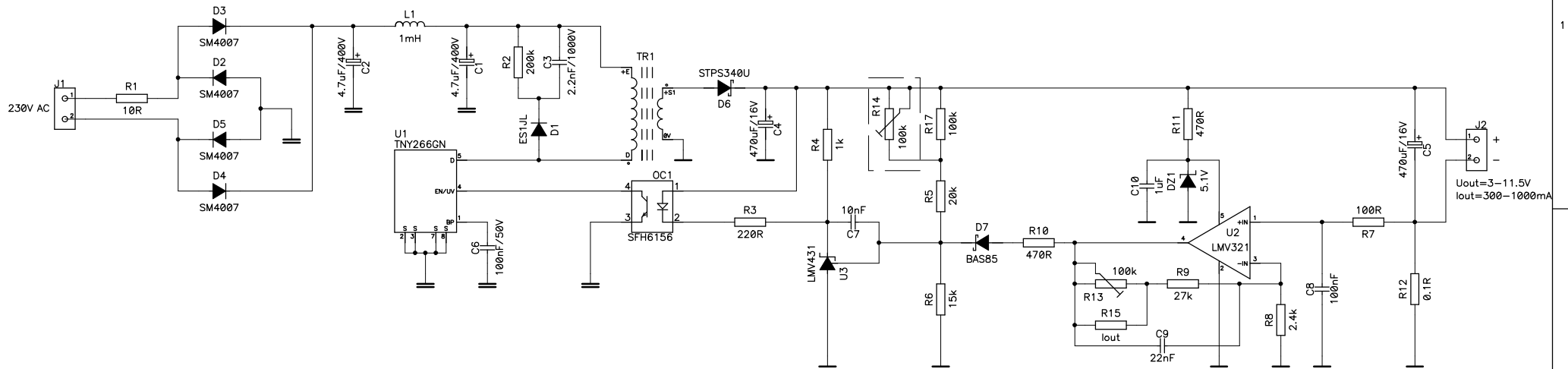


Title: 230V 8W LED driver

Drawn: Szc's Balazs	Dated: 2010.05.19	Size:A4	Number: 230V 8W LED driver v1r0	Rev.: 0
Checked: {Checked By}	Dated: 2010.05.19	M 1:1	Printed Date: Mon May 31, 2010	Sheet: Base
Released: {Released By}	Dated: 2010.05.19	Filename: 230V Power LED driver	Sheet 1 of 1	



Title: 230V 8W LED driver

Drawn: Szucs Balazs	Dated: 2010.05.19	Size:A4	Number: 230V 8W LED driver v1r0	Rev.: 0
Checked: {Checked By}	Dated: 2010.05.19	Printed Date: Mon May 31, 2010		Sheet: Base
Released: {Released By}	Dated: 2010.05.19	Filename: 230V Power LED driver	Sheet 1 of 1	